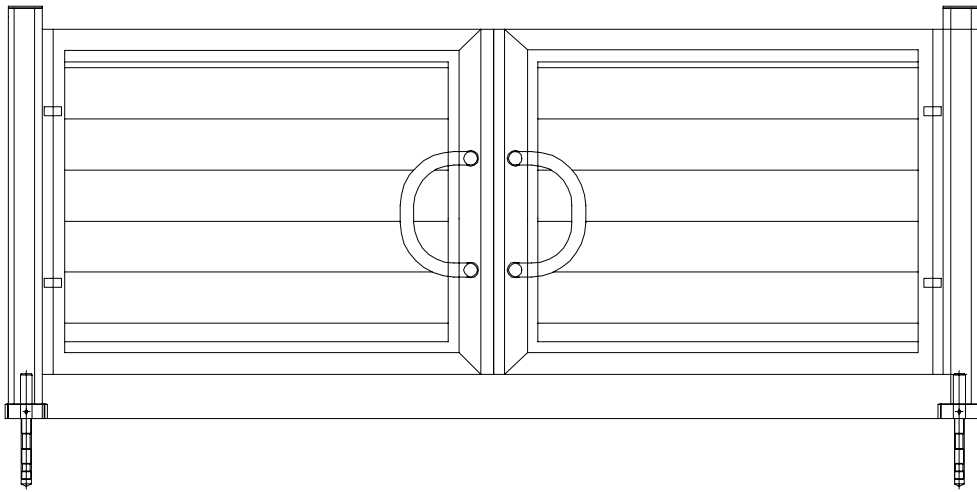
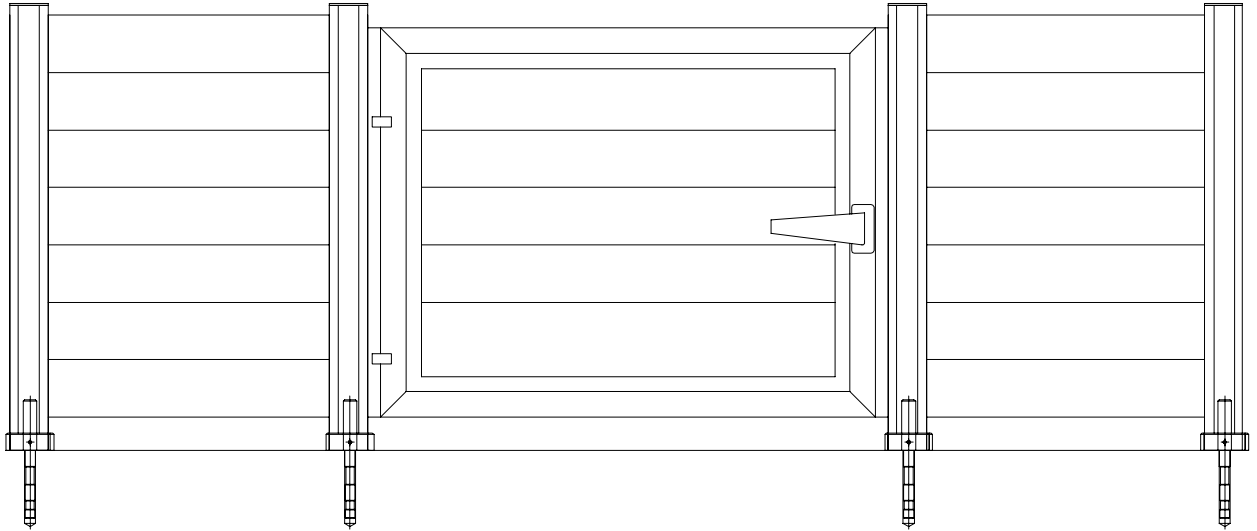


F60

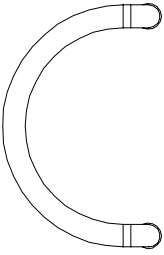
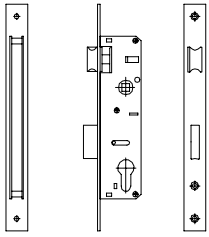
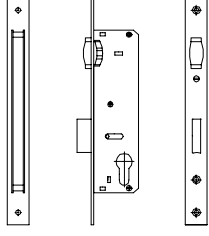
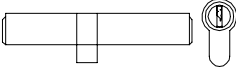

ÇİT SİSTEMİ

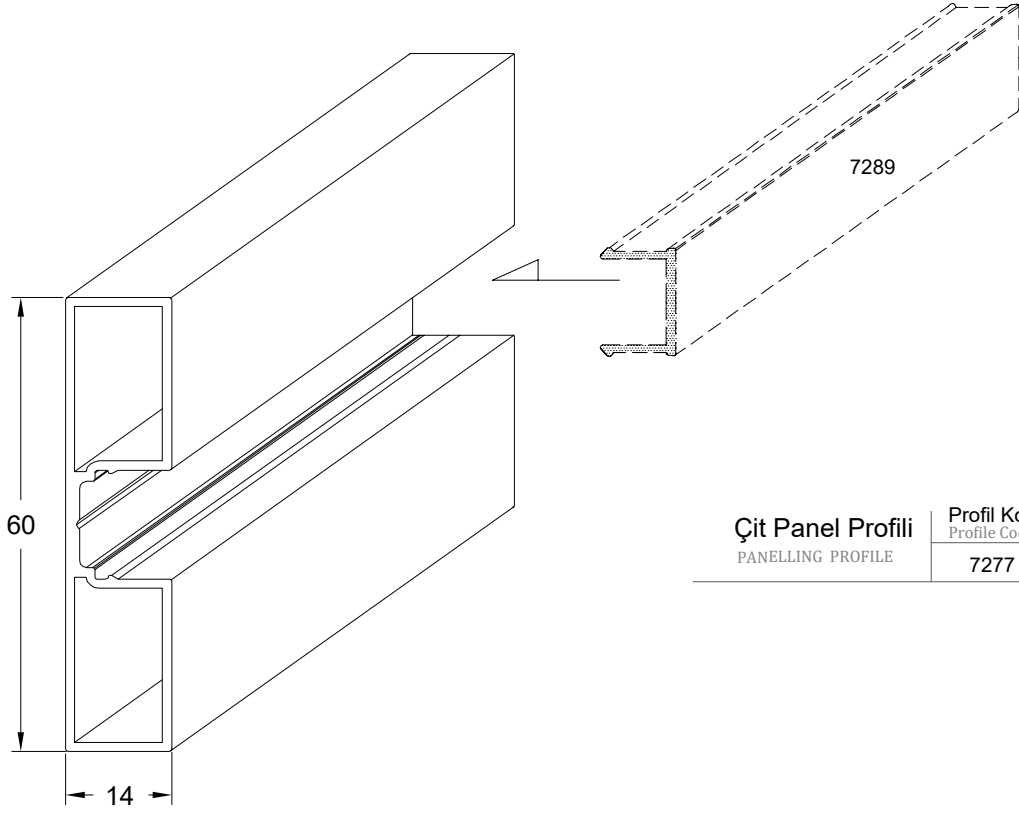
(Fence System)



PROFİL KESİTİ PROFILE SECTION	PROFİL KODU PROFILE CODE	PROFİL ADI PROFILE NAME	Jx cm ⁴	Jy cm ⁴	AĞIRLIK (kg/m) WEIGHT
	7277	PANEL PROFİLİ PANEL PROFILE	-	-	0,523 kg/m
	7274	PANEL PROFİLİ PANEL PROFILE	-	-	0,848 kg/m
	7275	PANEL PROFİLİ PANEL PROFILE	-	-	0,830 kg/m
	7276	PANEL PROFİLİ PANEL PROFILE	-	-	0,706 kg/m
	7290	PANEL PROFİLİ PANEL PROFILE	-	-	1,178 kg/m
	7270	DİKME PROFİLİ COLUMN PROFILE	-	-	1,639 kg/m
	7271	DİKME PROFİLİ COLUMN PROFILE	-	-	1,937 kg/m
	7272	DİKME PROFİLİ COLUMN PROFILE	-	-	1,375 kg/m
	7281	KAPAK (7272 PROFİL KAPAĞI) COVER (7272 PROFILE COVER)	-	-	0,580 kg/m
	7289	KAPAK (7271 PROFİL KAPAĞI) COVER (7271 PROFILE COVER)	-	-	0,098 kg/m
	7279	KAPAK (7271 PROFİL KAPAĞI) COVER (7271 PROFILE COVER)	-	-	0,175 kg/m
	7280	KAPAK (7270 PROFİL KAPAĞI) COVER (7270 PROFILE COVER)	-	-	0,286 kg/m
	7278	ADAPTÖR PROFİLİ ADAPTER PROFILE	-	-	0,220 kg/m
	12154	26X60 ÜST TUTAMAK PROFİLİ TOP HANDRAIL PROFILE	-	-	0,816 kg/m
	2021	KASA PROFİLİ FRAME PROFILE	-	-	1,264 kg/m
	452	KASA PROFİLİ FRAME PROFILE	-	-	1,013 kg/m
	2020	KANAT PROFİLİ SASH PROFILE	-	-	1,339 kg/m
	701	ADAPTÖR PROFİLİ ADAPTER PROFILE	-	-	0,380 kg/m
	455	ÇITA PROFİLİ BEAD PROFILE	-	-	0,207 kg/m
	454	ÇITA PROFİLİ BEAD PROFILE	-	-	0,228 kg/m
	700	KASA-KANAT PROFİLİ FRAME-SASH PROFILE	-	-	0,370 kg/m
	410	KÖŞE TAKOZ PROFİLİ CORNER WEDGE PROFILE	-	-	6,094 kg/m

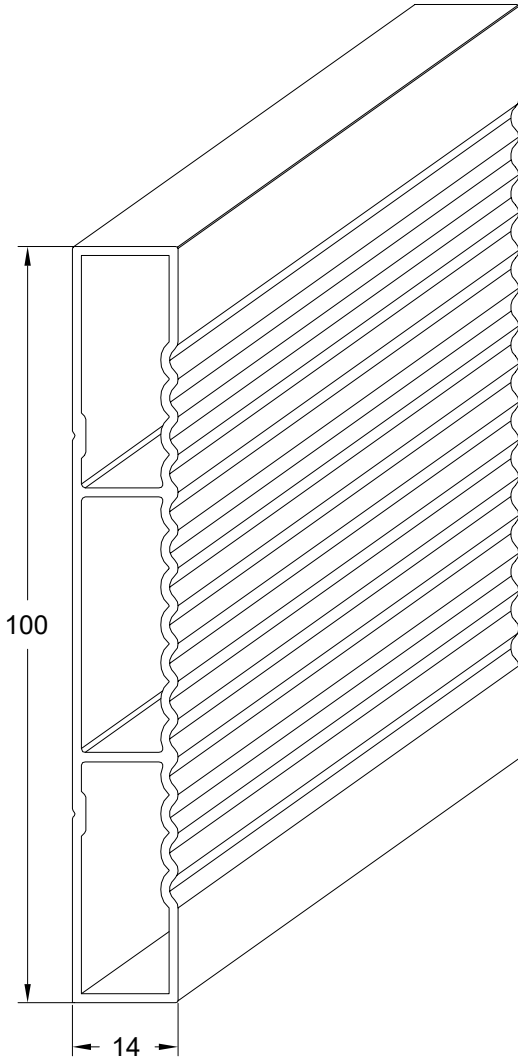
AKSESUAR ACCESSORY	STOK KODU REFERENCE CODE	AKSESUAR ADI DESCRIPTION	AKSESUAR KODU PRODUCT CODE	PAKET PACK
	07 092200	60X60 DİKME FLANŞI 60X60 POLE FLANGE	AB10-01	Adet
	07 092215	14X100 FLANŞI 14X100 FLANGE	AB10-02	Adet
	07 092201	60X60 DİKME TAPASI 14X100 FLANGE	AB11-01	Adet
	07 092203	60X60 CAM DEKORLU TAPA 60X60 GLAZING DECORATED PLUG	AB11-02	Adet
	07 092210	60X60 DAMLA DEKORLU TAPA 60X60 DROP DECORATED PLUG	AB11-03	Adet
	07 092202	14X100 TAPA 14X100 PLUG	AB11-04	Adet
	07 092205	14X100 CAM DEKORLU TAPA 14X100 GLAZING DECORATED PLUG	AB11-05	Adet
	07 092206	14X100 DAMLA DEKORLU TAPA 14X100 DROP DECORATED PLUG	AB11-06	Adet
	07 092235	KAPI MENTEŞESİ DOOR HINGE	AB11-07	Adet
	07 010190	ANKRAJ 20 CM ANCHORAGE 20 CM	A 24-05	Adet
	07 081042	FLANŞ (AHSAP ANKRAJ) FLANGE (WOOD ANCHORAGE)	AK 10-42	Adet
	01 011050	İÇE ve DIŞA AÇILIR BİNLİ KAPI MENTEŞE (ELOKSAL) INWARD AND OUTWARD OPENING HINGE (ANODIZED)	F60-KM.050	Adet
	01 011051	İÇE ve DIŞA AÇILIR BİNLİ KAPI MENTEŞE (BEYAZ) INWARD AND OUTWARD OPENING HINGE (WHITE)	F60-KM.051	Adet
	01 011052	İÇE ve DIŞA AÇILIR BİNLİ KAPI MENTEŞE (RENKLİ) INWARD AND OUTWARD OPENING HINGE (COLORED)	F60-KM.052	Adet
	01 011051	ÇARPMA KAPI MENTEŞE (ELOKSAL) OUTWARD OPENING OVERLAPPING HINGE (ANODIZED)	F60-ÇM.206	Adet
	01 011052	ÇARPMA KAPI MENTEŞE (BEYAZ) OUTWARD OPENING OVERLAPPING HINGE (WHITE)	F60-ÇM.202	Adet
	01 0601011	C60 KİLİT KARŞILIĞI LOCK STRIKER	F60-KK.101	Adet
	01 040902	FORZA EFOR YAYLI KAPI KOLU (BEYAZ) FORZA EFOR SPRING DOOR HANDLE (WHITE)	F60-FK.902	1 ad / 1 pk
	01 040903	FORZA EFOR YAYLI KAPI KOLU (RENKLİ) FORZA EFOR SPRING DOOR HANDLE (COLORED)	F60-FK.903	1 ad / 1 pk
	01 040904	FORZA EFOR YAYLI KAPI KOLU (NATUREL) FORZA EFOR SPRING DOOR HANDLE (NATURAL)	F60-FK.904	1 ad / 1 pk
	F60-21	PK-2021 2021 COVER	F60-PK.2021	

AKSESUAR ACCESSORY	STOK KODU REFERENCE CODE	AKSESUAR ADI DESCRIPTION	AKSESUAR KODU PRODUCT CODE	PAKET PACK
	01 030901	YARIM AY KAPI KOLU (ELOKSALLI) SEMI-CIRCULAR DOOR HANDLE (ANODIZED)	F60-YAK.901	1 ad / 1 pk
	01 030902	YARIM AY KAPI KOLU (B. BOYALI) SEMI-CIRCULAR DOOR HANDLE (PAINTED)	F60-YAK.902	1 ad / 1 pk
	01 030903	YARIM AY KAPI KOLU (RENKLİ) SEMI-CIRCULAR DOOR HANDLE (COLORED)	F60-YAK.903	1 ad / 1 pk
	05 011001	25 mm C60 DİLLİ KİLİT BOLT LOCK	F60-DK.001	30 ad / 1 pk
	05 010405	25 mm C60 MAKARALI KİLİT ROLLED LOCK	F60-MK.405	30 ad / 1 pk
	05 011101	81 mm BAREL 62 mm CYLINDER	F60-BR.101	24 ad / 1 pk
	11 010934	4.8X16 mm YSB SAC VİDA 4.8X16 mm YSB CURVED TOP SCREW	F60-SC.934	1000 ad / 1 pk



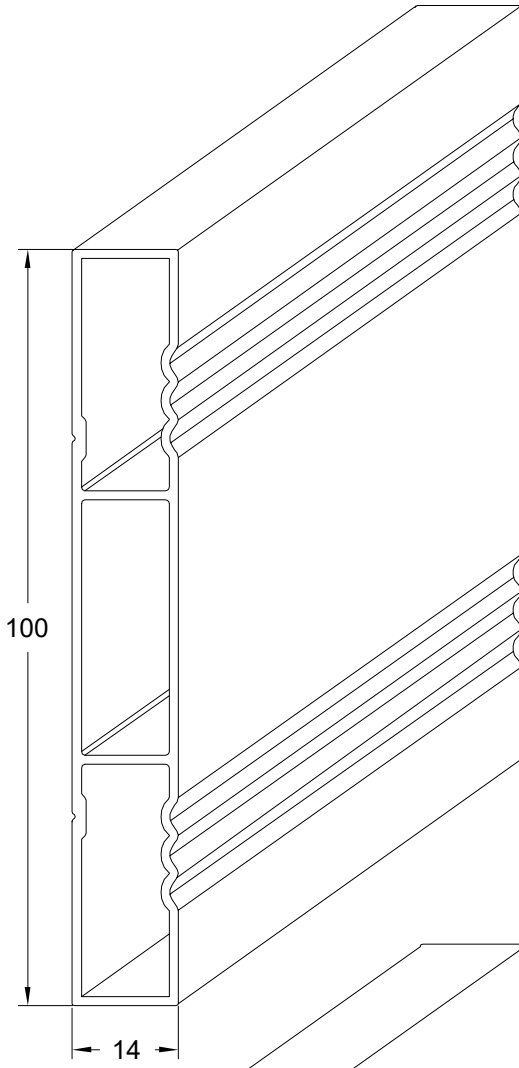
Çit Panel Profili
PANELLING PROFILE

Profil Kodu Profile Code	(kg/mt) Weight
7277	0,523

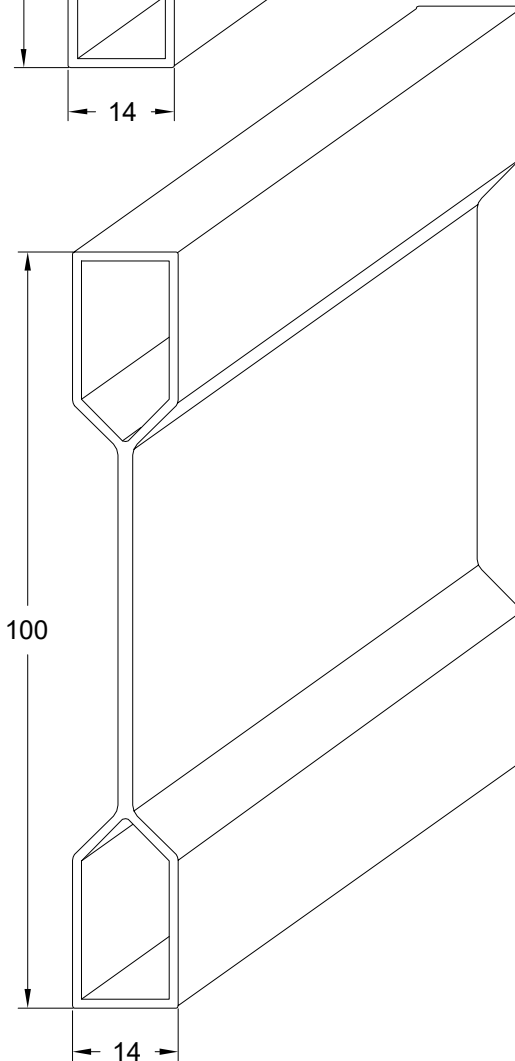


Çit Panel Profili
PANELLING PROFILE

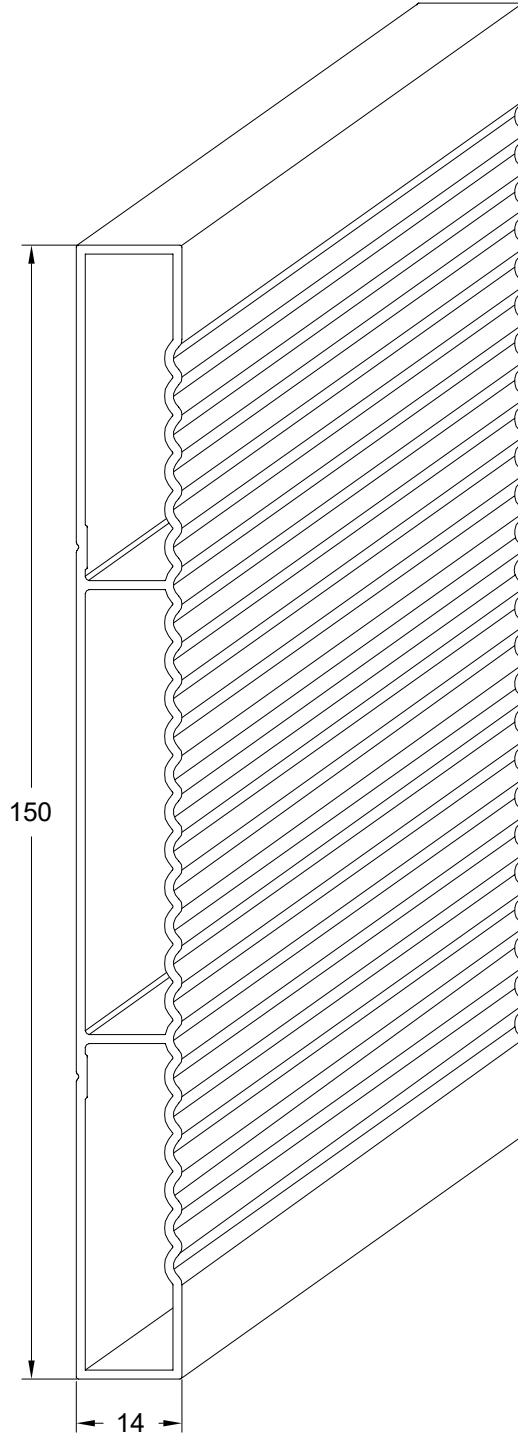
Profil Kodu Profile Code	(kg/mt) Weight
7274	0,848



Çit Panel Profili PANELLING PROFILE	Profil Kodu Profile Code	(kg/mt) Weight
	7275	0,830

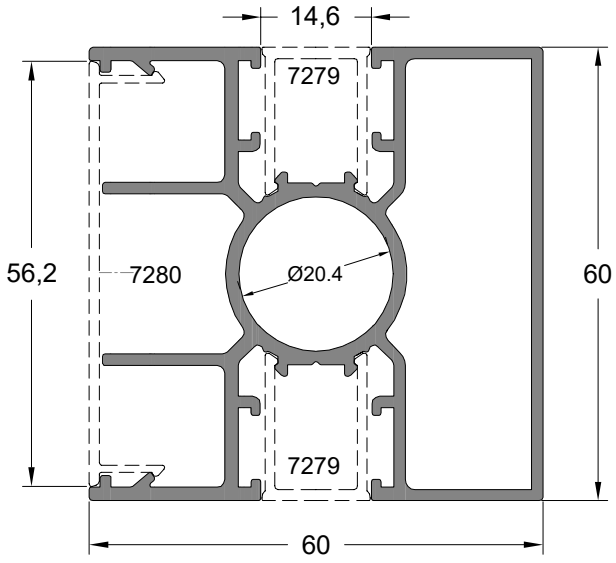


Çit Panel Profili PANELLING PROFILE	Profil Kodu Profile Code	(kg/mt) Weight
	7276	0,706



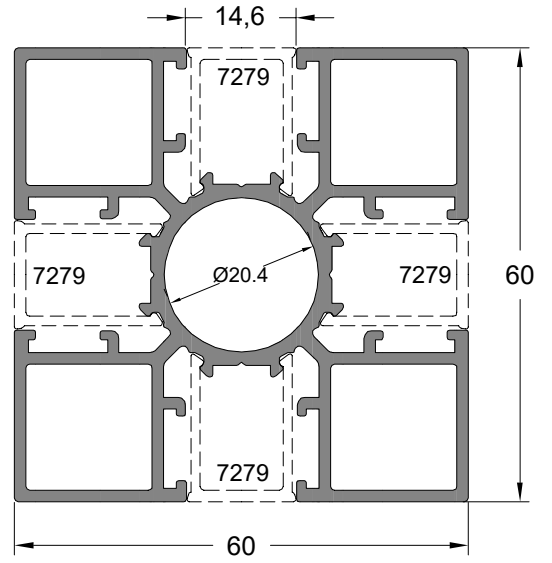
Çit Panel Profili
PANELLING PROFILE

Profil Kodu Profile Code	(kg/mt) Weight
7290	1,178



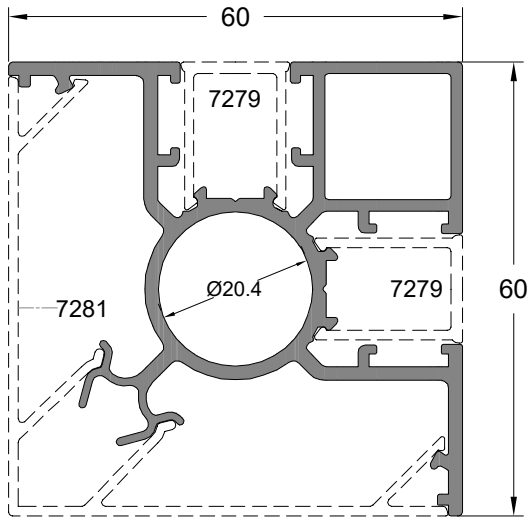
Dikme Profili
POLE PROFILE

Profil Kodu Profile Code	(kg/mt) Weight
7270	1,639



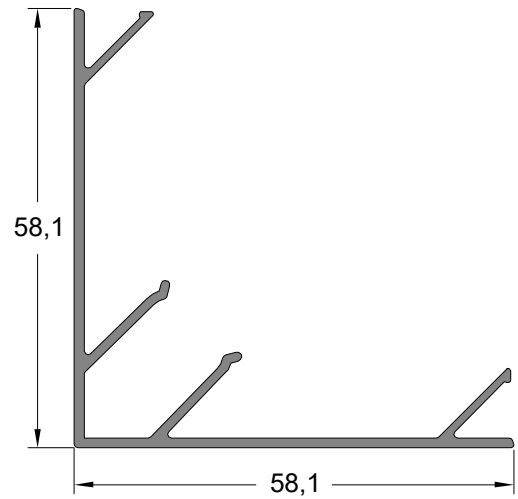
Dikme Profili
POLE PROFILE

Profil Kodu Profile Code	(kg/mt) Weight
7271	1,937



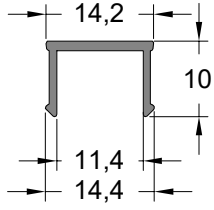
Dikme Profili
POLE PROFILE

Profil Kodu Profile Code	(kg/mt) Weight
7272	1,375

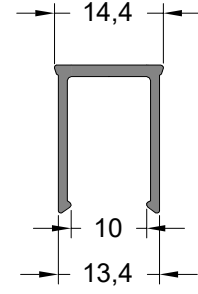


Kapak Profili
(7272 Profil Kapağı)
COVER (7272 PROFILE COVER)

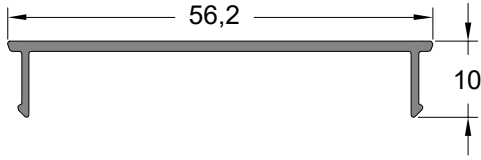
Profil Kodu Profile Code	(kg/mt) Weight
7281	0,580



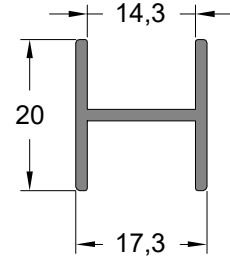
Kapak Profili (7277 Profil Kapağı)	Profil Kodu Profile Code	(kg/mt) Weight
COVER (7277 PROFILE COVER)	7289	0,098



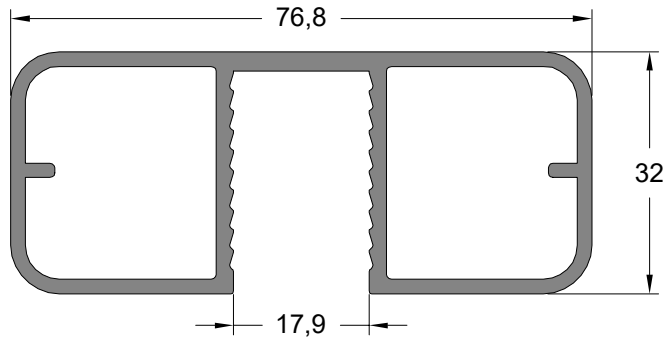
Kapak Profili (7271 Profil Kapağı)	Profil Kodu Profile Code	(kg/mt) Weight
COVER (7271 PROFILE COVER)	7279	0,175



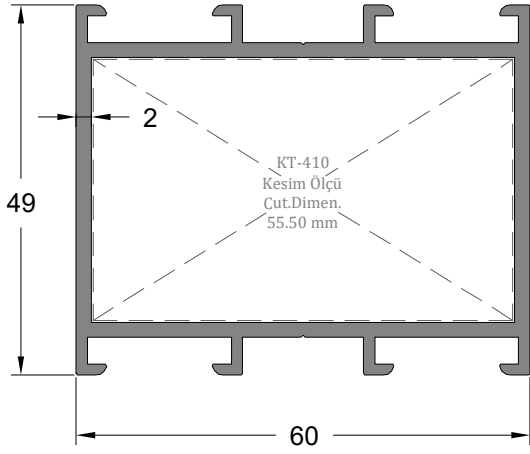
Kapak Profili (7270 Profil Kapağı)	Profil Kodu Profile Code	(kg/mt) Weight
COVER (7270 PROFILE COVER)	7280	0,246



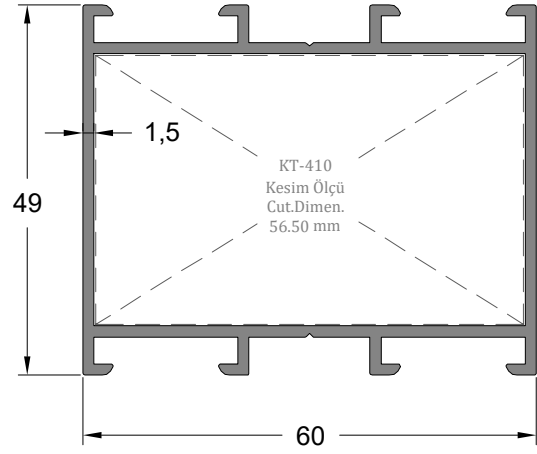
Adaptör Profili	Profil Kodu Profile Code	(kg/mt) Weight
ADAPTER PROFILE	7278	0,220



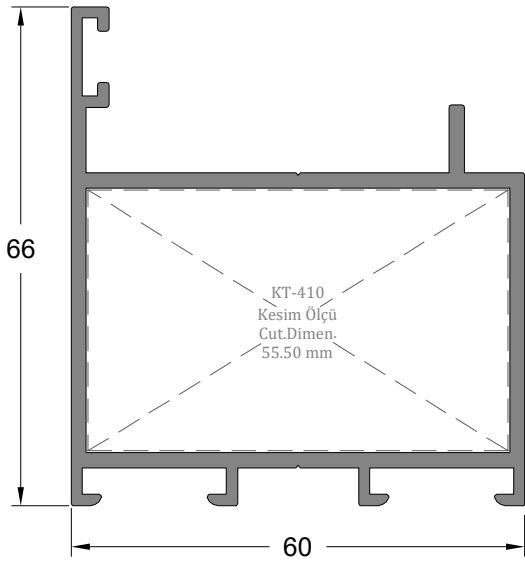
25X60 Üst Tutamak Profili	Profil Kodu Profile Code	(kg/mt) Weight
TOP HANDRAIL PROFILE	12154	0,816



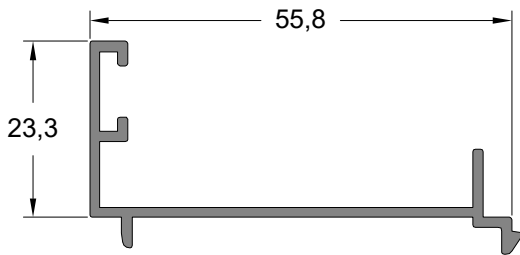
Kasa Profili	Profil Kodu	(kg/mt)
FRAME PROFILE	Profile Code	Weight
	2021	1,264



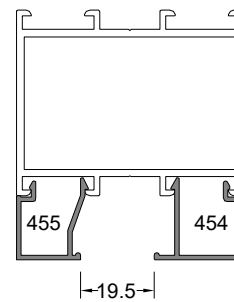
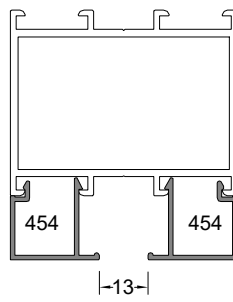
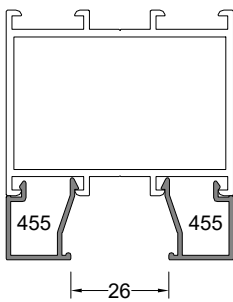
Kasa Profili	Profil Kodu	(kg/mt)
FRAME PROFILE	Profile Code	Weight
	452	1,013

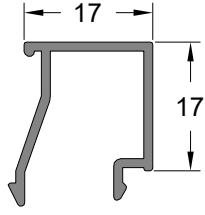


Kanat Profili	Profil Kodu	(kg/mt)
SASH PROFILE	Profile Code	Weight
	2020	1,339

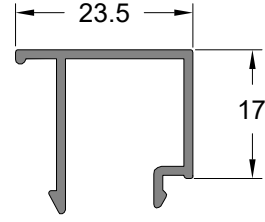


Adaptör Profili	Profil Kodu	(kg/mt)
ADAPTER PROFILE	Profile Code	Weight
	701	0,380

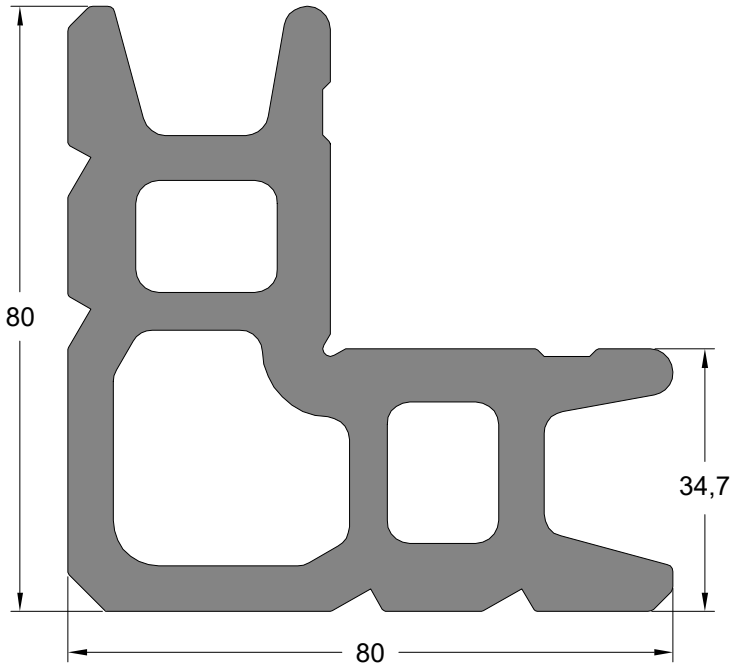



Çıta Profili
 BEAD PROFILE

Profil Kodu Profile Code	(kg/mt) Weight
455	0,207


Çıta Profili
 BEAD PROFILE

Profil Kodu Profile Code	(kg/mt) Weight
454	0,228

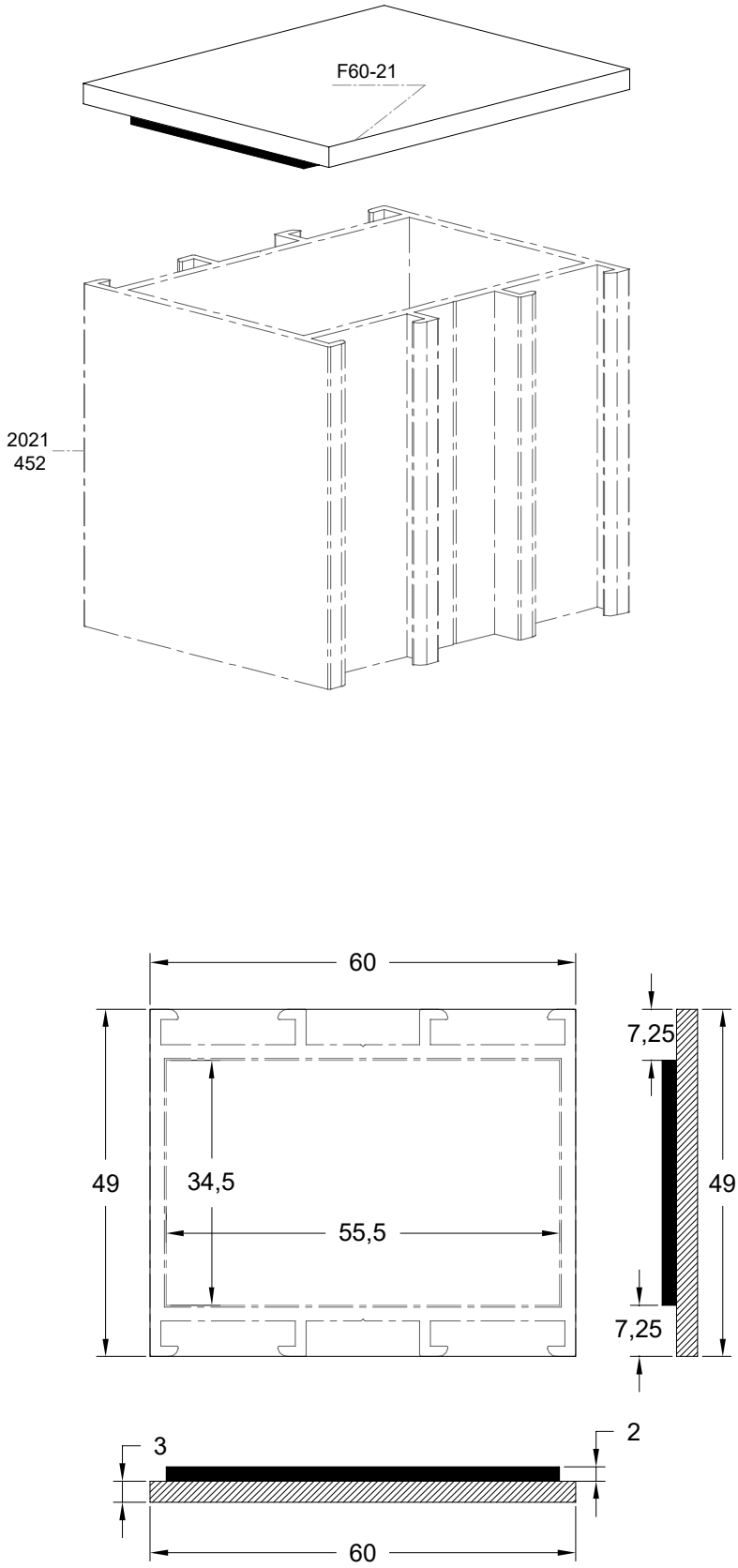

Köşe Takoz Profili
 CORNER WEDGE PROFILE

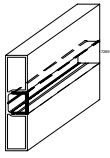
Profil Kodu Profile Code	(kg/mt) Weight
410	6,094

Köşe Takozu Profil Kodu Corner Wedge Profile Code	Kullanıldığı Profil Compatible Profile	Kesim Boyu (mm) Cutting Length (mm)
410	2020	55,50 mm
	2021	55,50 mm

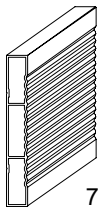


2021-452 PROFİLİ İÇİN KAPAK
2021-452 PROFILE COVER

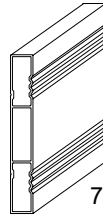




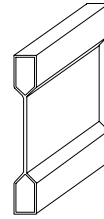
7277



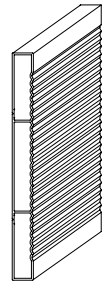
7274



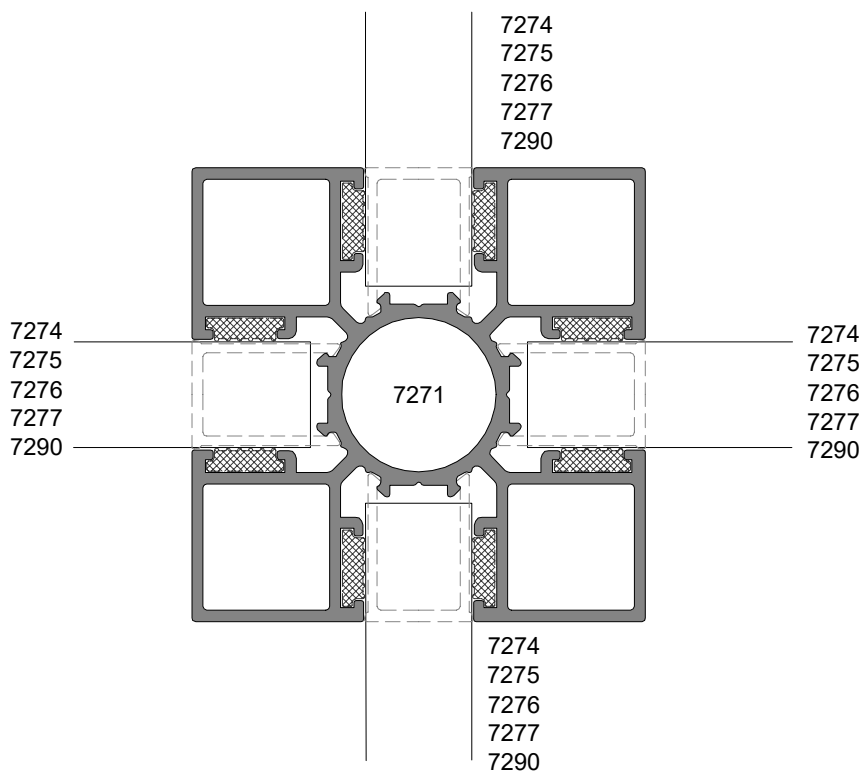
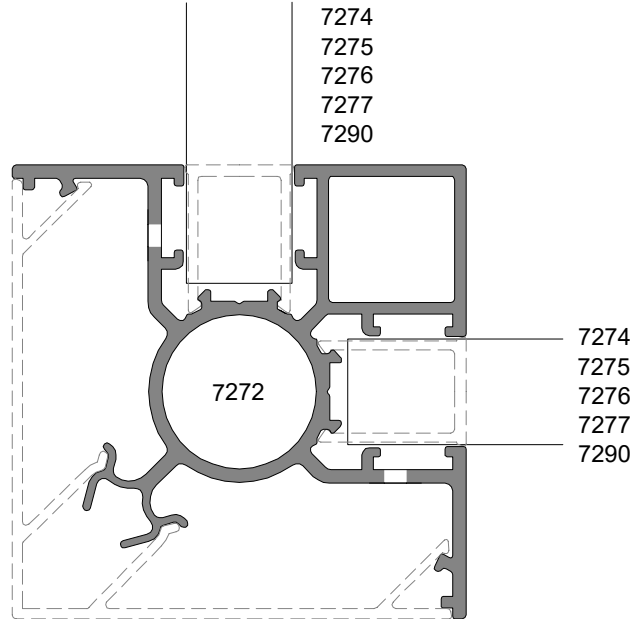
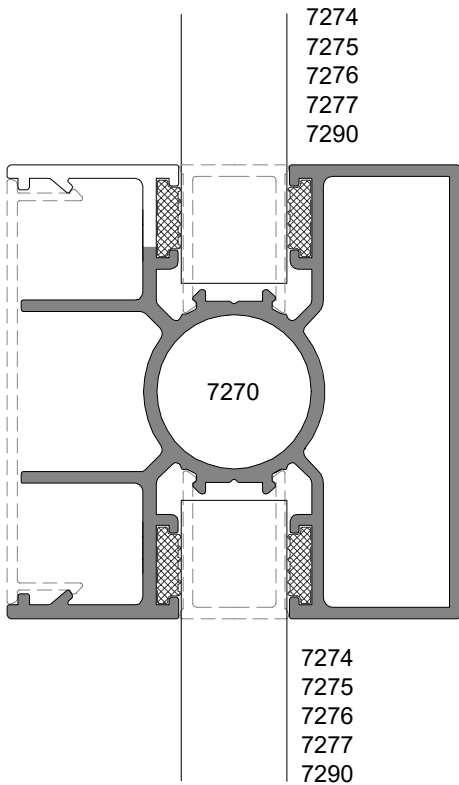
7275

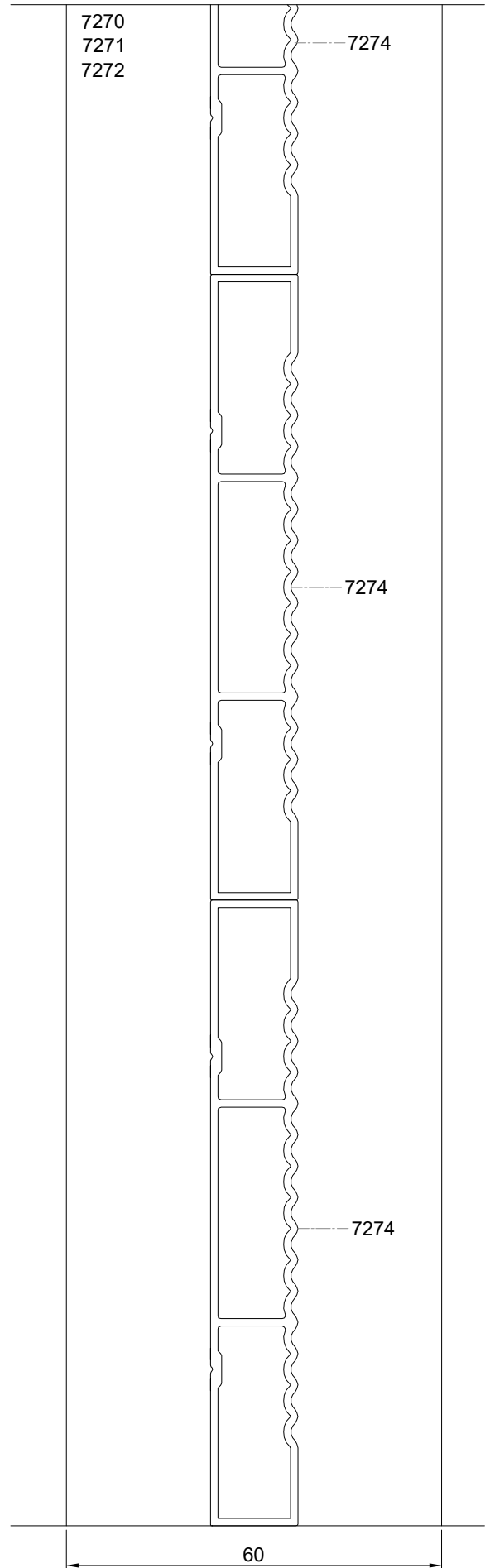
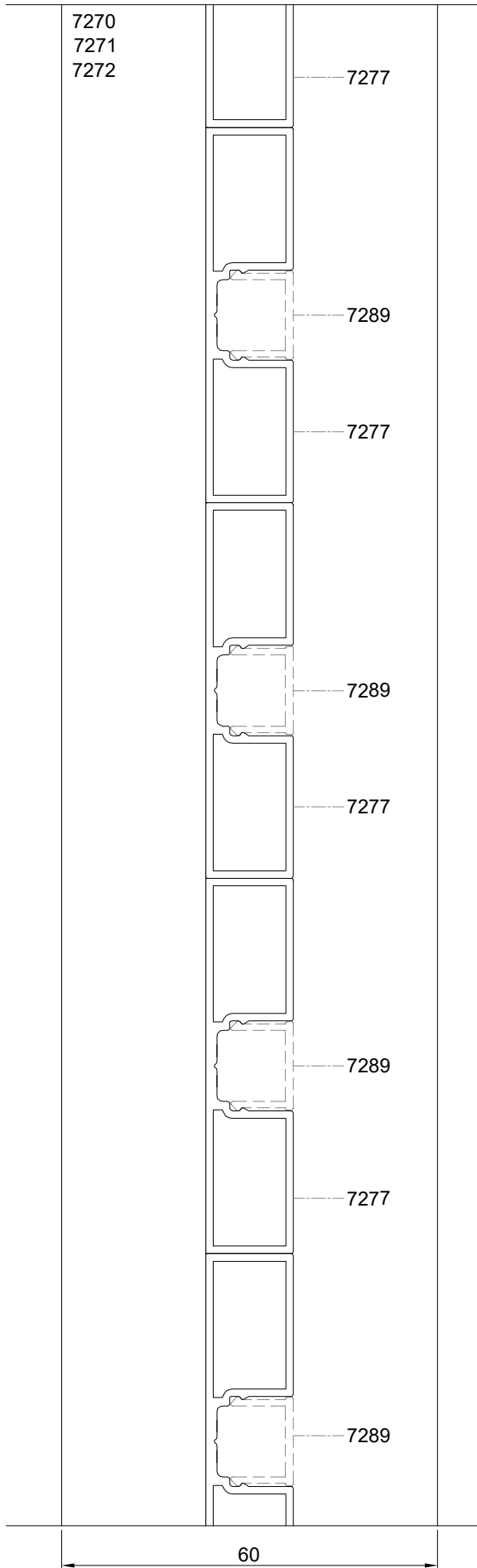


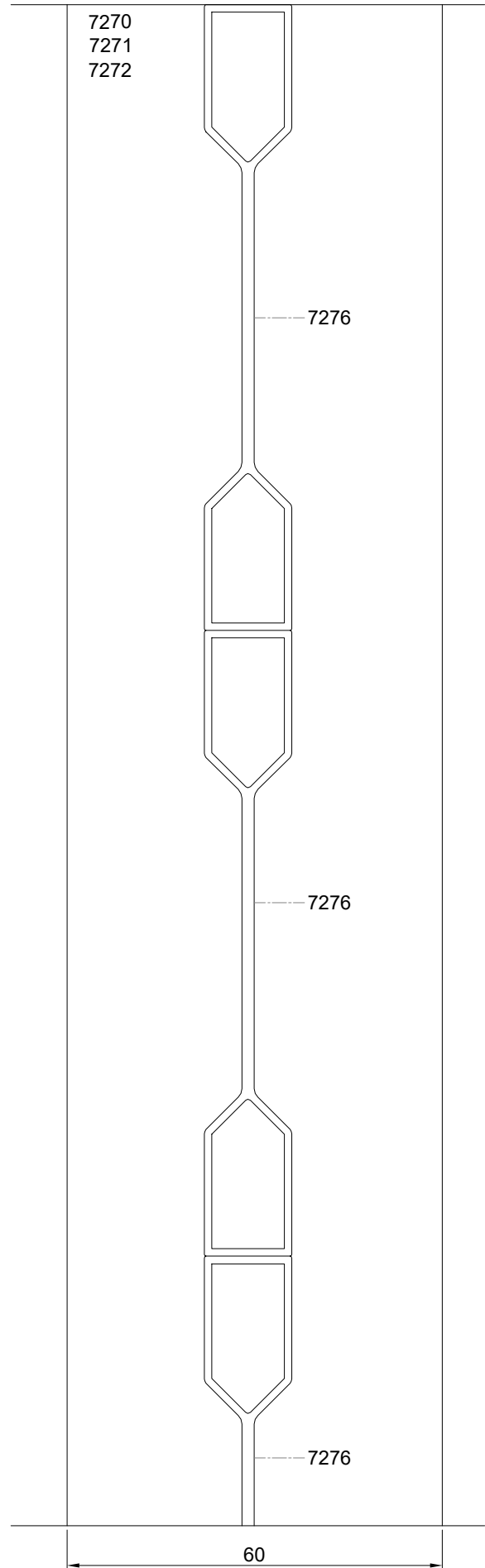
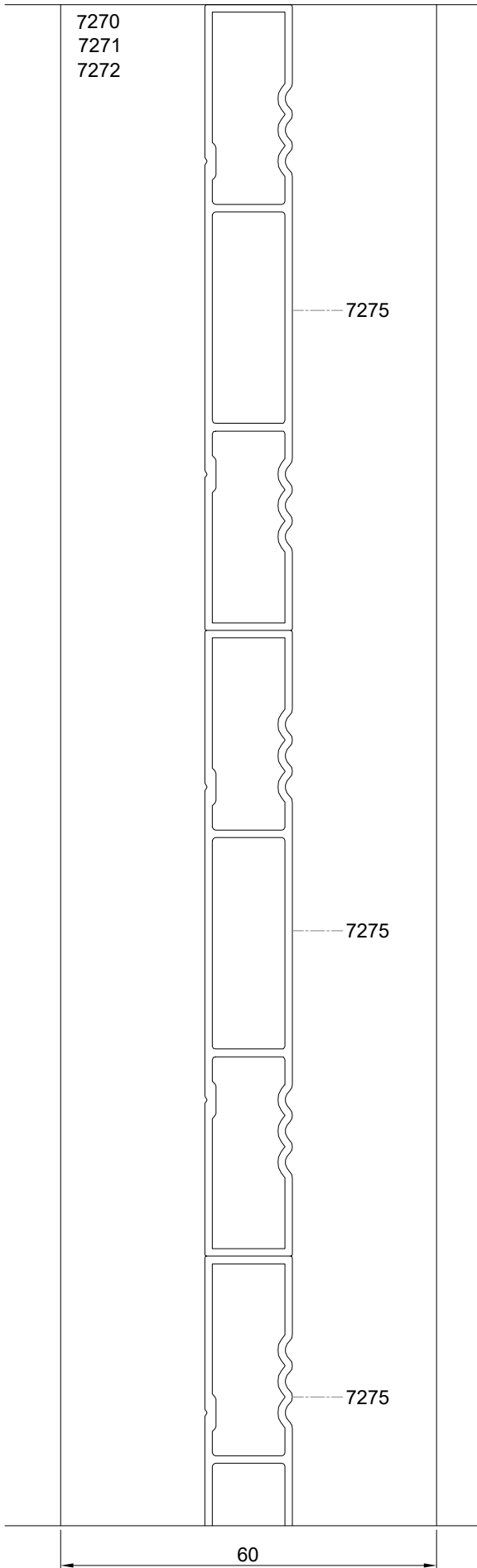
7276

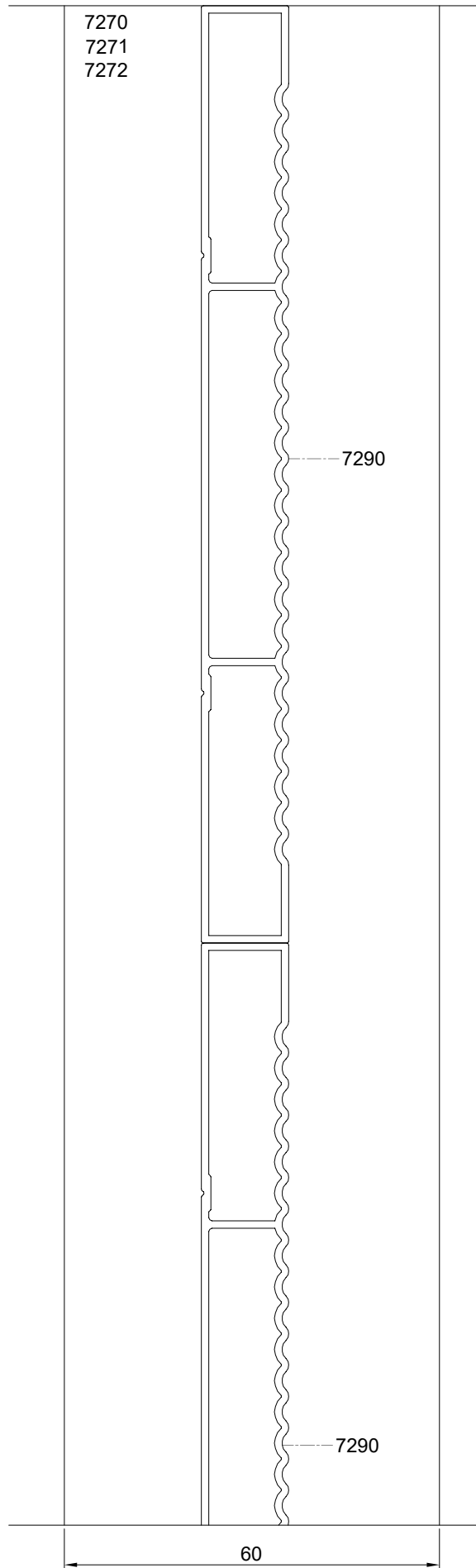


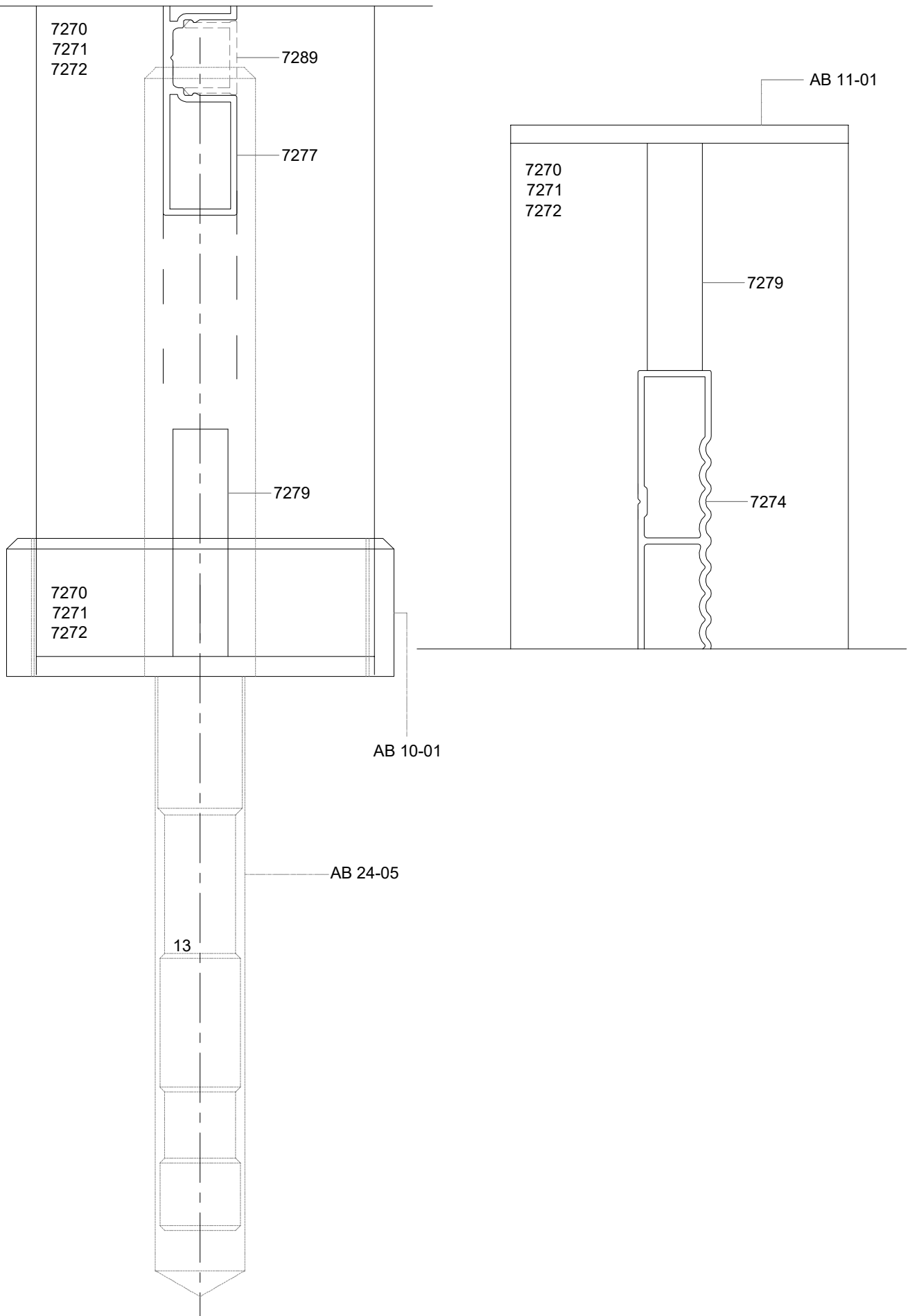
7290

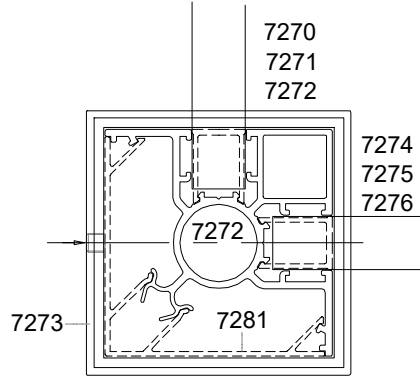




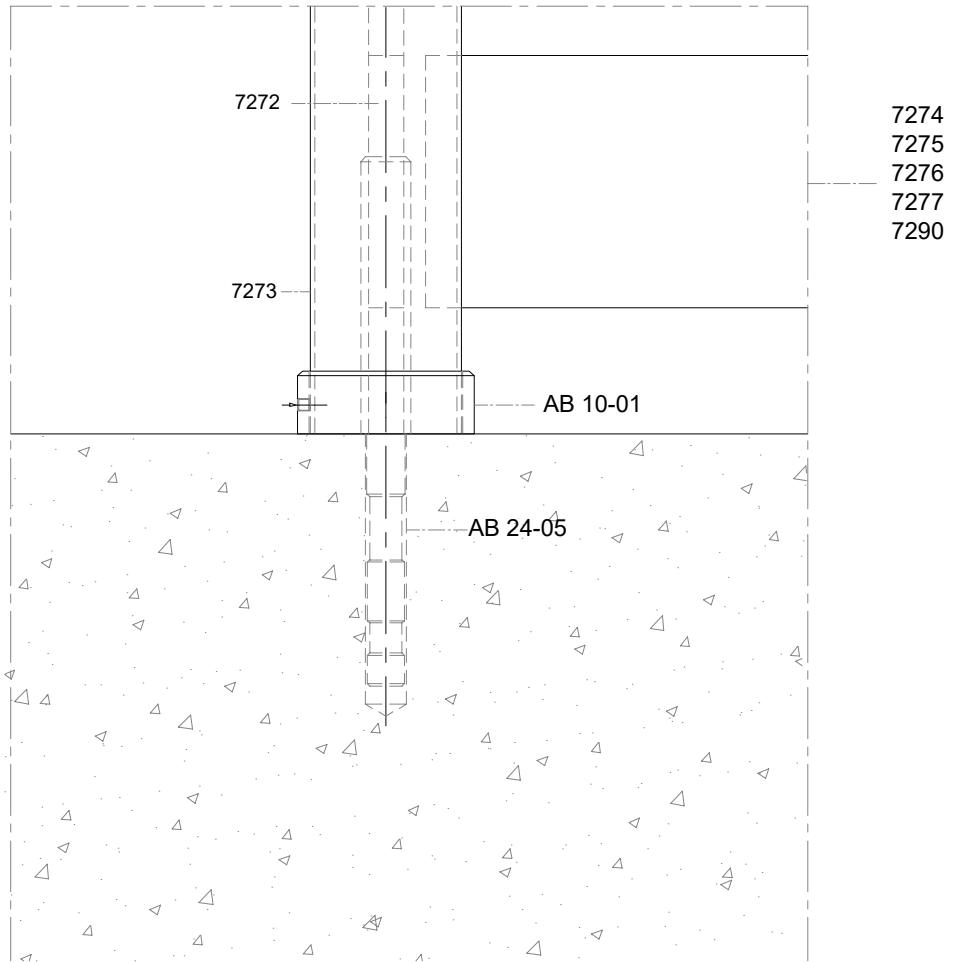


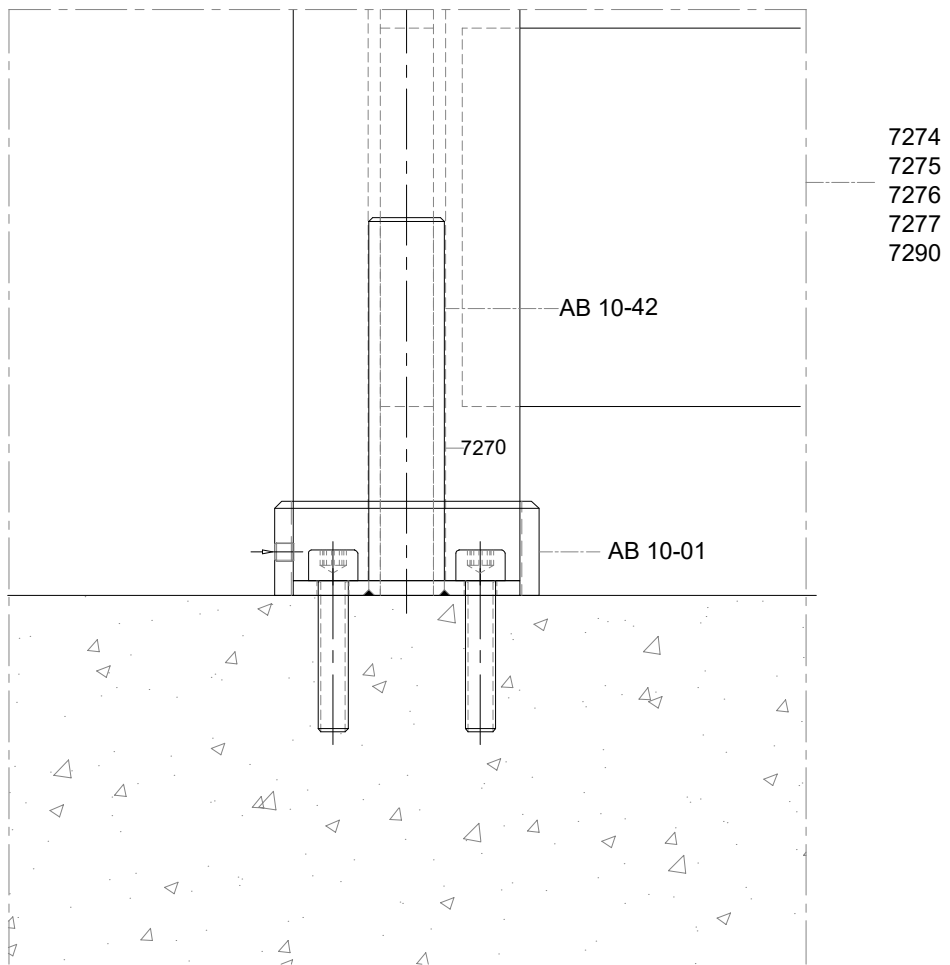
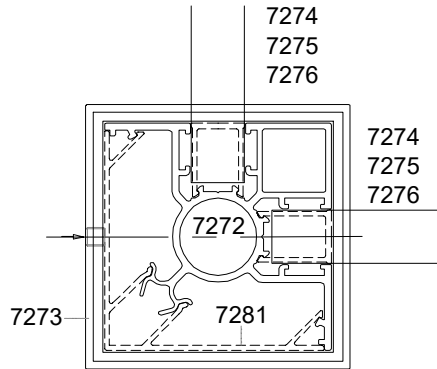


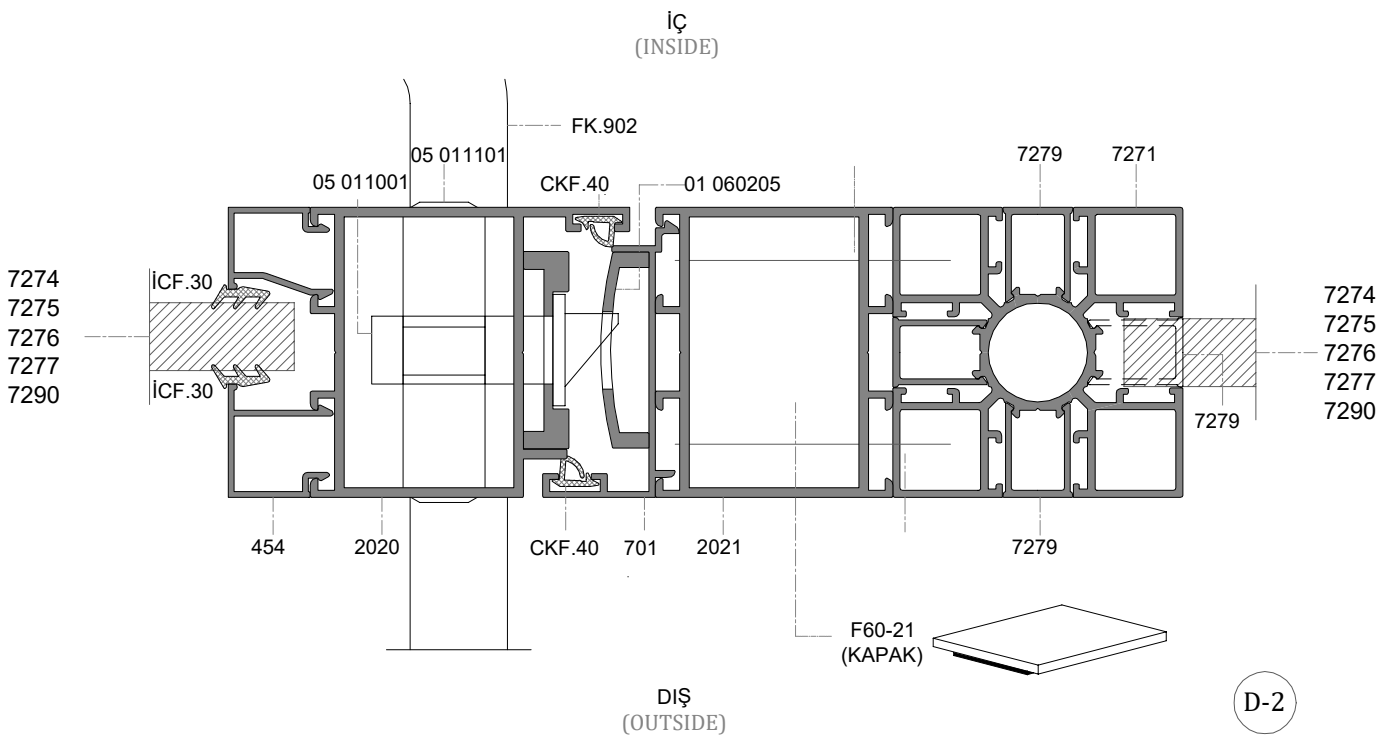
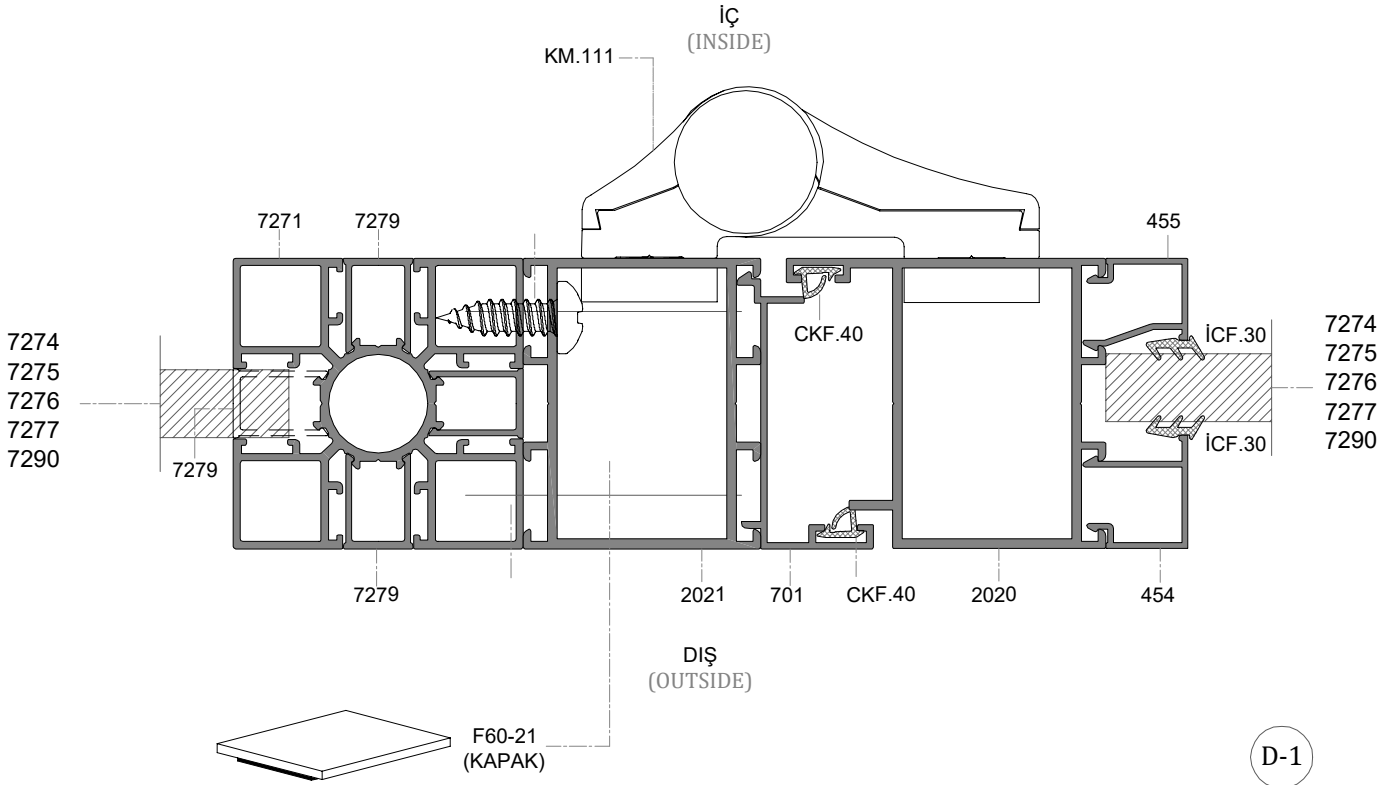
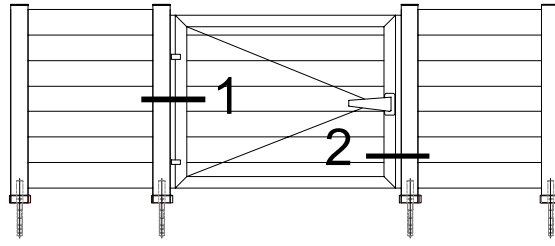


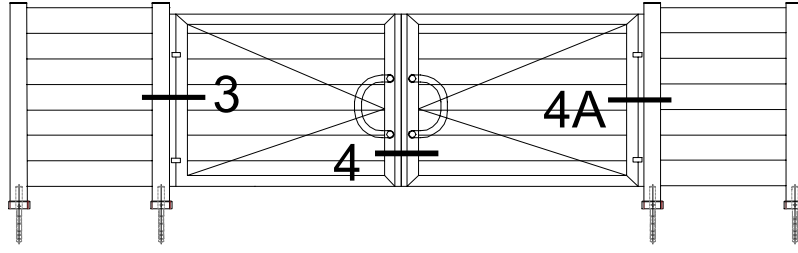


A - DETAYI
Ö : 1/3

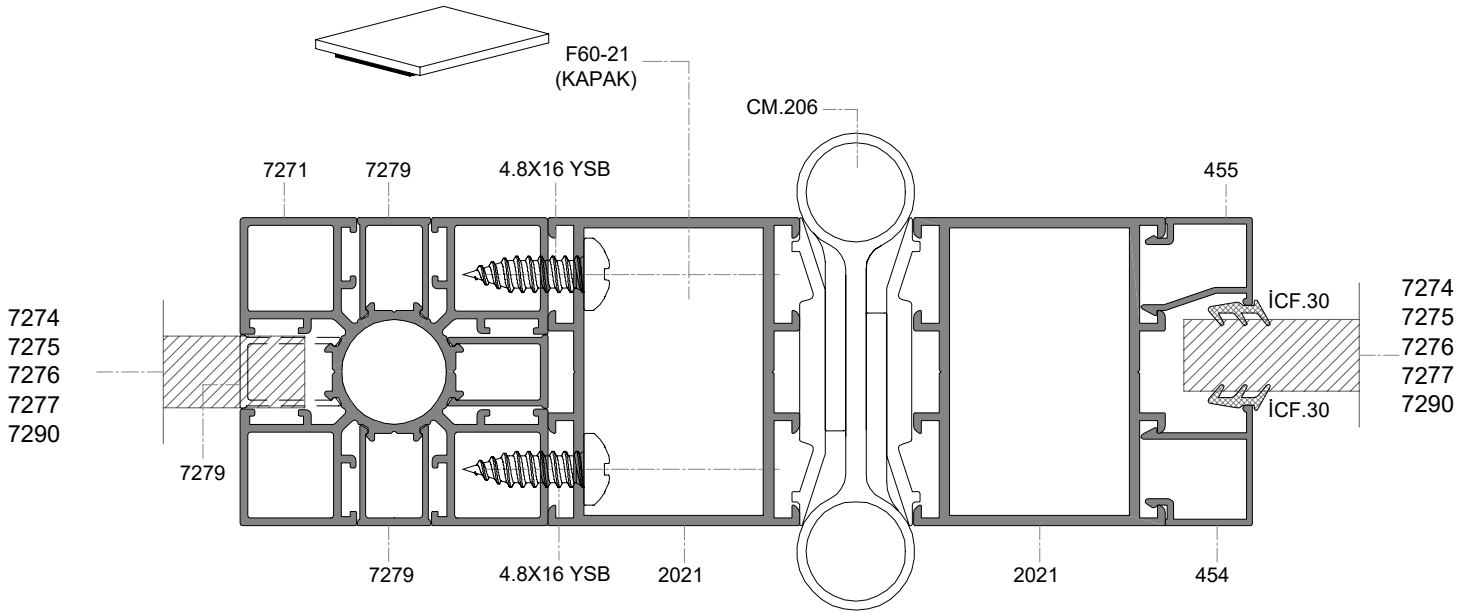




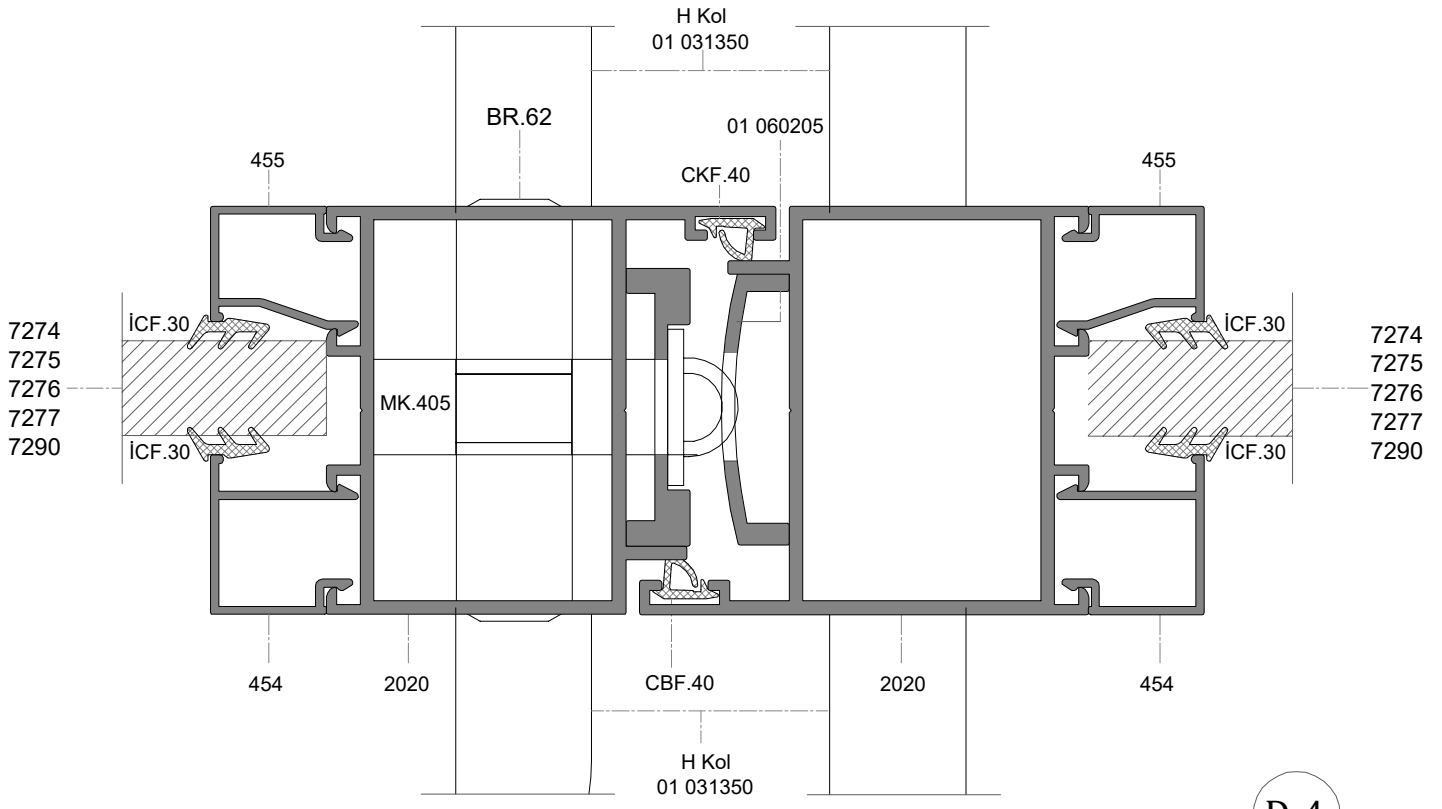




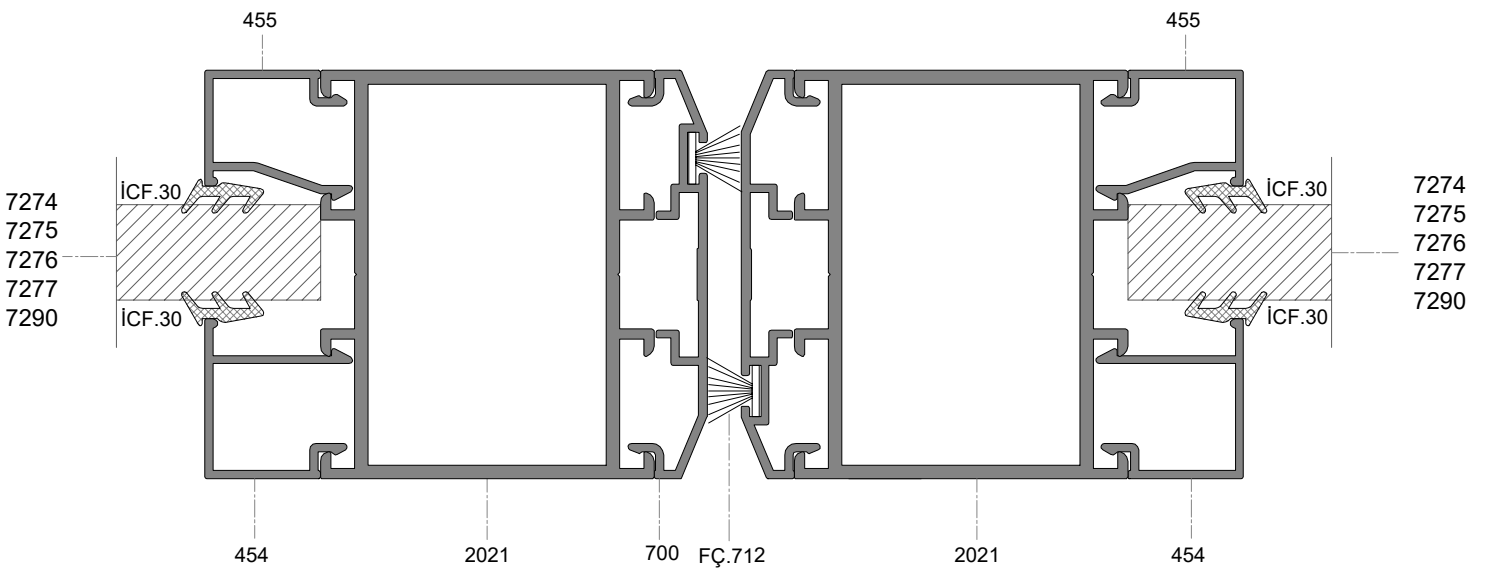
İÇ
(INSIDE)



D-3



D-4



D-4A

